

## Armored Sink 11" x 20" – U/M



Kitchen Sinks

Code: 1234 660

AISI 304 Stainless steel

Satin finish

Undermount

x cross bending for easy water draining



### DETAILS

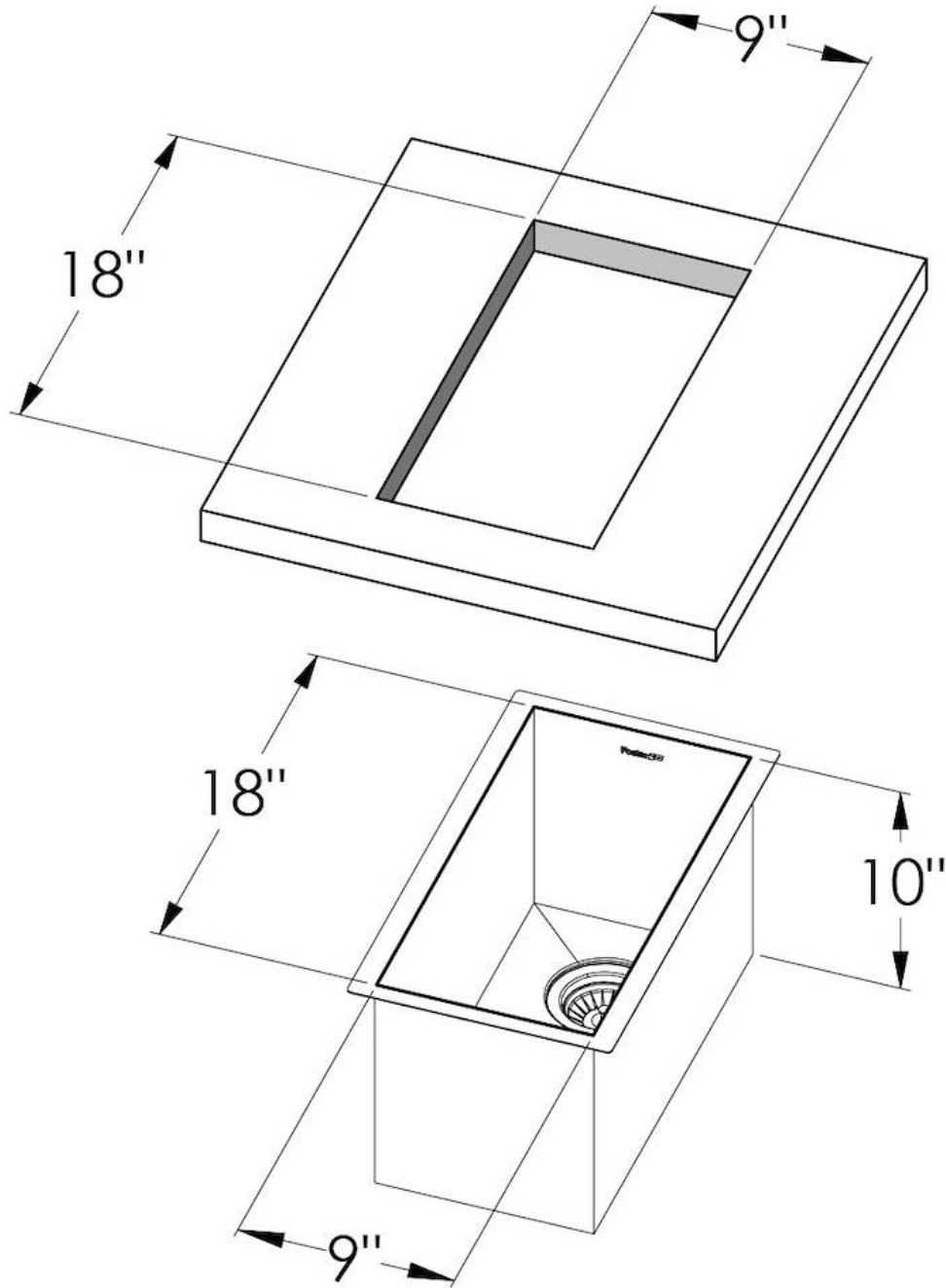
Edge/Installation Type	Undermount
<b>Series</b>	Quadra Armored
Texture	Satin
Material	AISI 304 stainless steel
Thickness	16 Gauge (1.5 mm)
Overall dimensions	11" x 19 1/2"
Bowls dimensions	1 bowl 9" x 18"
Bowls depth	10 "

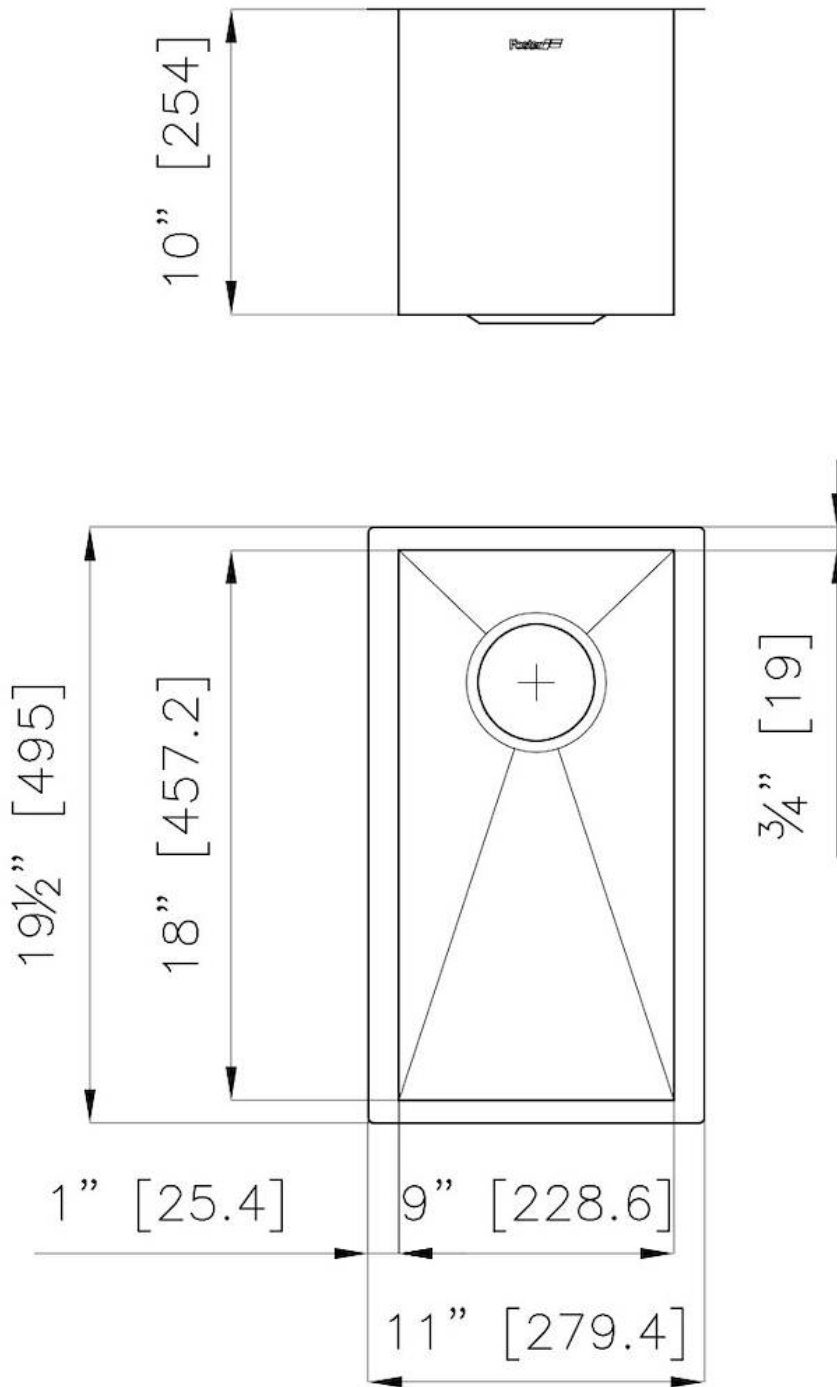
Cut out	9" x 18"
Waste fitting type	3 1/2" - with stainless steel basket
Bowls bottom	X cross bending for easy water draining
Underside	Protected with heavy duty undercoating
Fixing system	Undermount fixing kit (brass insert and clips)

## FEATURES

Diamond-shape bottom	The draining of water is an important feature in a sink, and it's always taken good care of in Foster products. In the bent-welded sinks, which would have a flat bottom, the proper draining is guaranteed by the elegant beveling, which helps the water flow.
High thickness	1.5 mm thick steel. A significant thickness, which guarantees the maximum sturdiness and durability.
Basket 3,5" waste fitting	The drain is equipped with a large 3.5" drain, with the practical basket cap that prevents the discharge of solid parts.
Deep bowls	This bowls reach an important depth, over 20 cm, thanks to the advanced production technology, that can be offer great capieny and practicity in all the washing operations.

## TECHNICAL DATA





## OPTIONAL ACCESSORIES



**Waste disposer throat**  
8669 043

## RECOMMENDED PAIRINGS



**Faucet Ponza**  
8497 025



**Faucet Sicilia**  
8485 005



**Professional series Cooktop 5  
burners STD Edge**  
7055 962



**Milano Induction Cooktop 2 Plate**  
7323 945